



KR 6 R1840-2



Technical data

| | |
|--------------------------------------------------------------|----------------------------------------------|
| Maximum reach | 1840 mm |
| Rated payload | 6 kg |
| Maximum payload | 9 kg |
| Maximum supplementary load, rotating column / link arm / arm | - |
| Pose repeatability (ISO 9283) | ± 0.04 mm |
| Number of axes | 6 |
| Mounting position | Floor; Ceiling; Wall; Desired angle |
| Footprint | 333,5 mm x 307 mm |
| Weight | approx. 162 kg |

Axis data

| | |
|--------------------------|----------------|
| Motion range | |
| A1 | ±170 ° |
| A2 | -185 ° / 65 ° |
| A3 | -137 ° / 163 ° |
| A4 | ±185 ° |
| A5 | ±120 ° |
| A6 | ±350 ° |
| Speed with rated payload | |
| A1 | 220 °/s |
| A2 | 210 °/s |
| A3 | 270 °/s |
| A4 | 381 °/s |
| A5 | 311 °/s |
| A6 | 472 °/s |

Operating conditions

| | |
|--------------------------------------|-----------------------------------------------------|
| Ambient temperature during operation | 0 °C to 55 °C (273 K to 328 K) |
| Cleanroom class (ISO 14644-1) | Class 5 at 40% override; Class 5 at 80% override |

Protection rating

| | |
|--------------------------------------------|------|
| Protection rating (IEC 60529) | IP65 |
| Protection rating, robot wrist (IEC 60529) | IP67 |

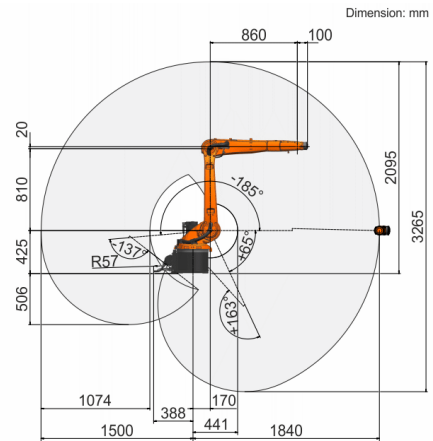
Controller

| | |
|------------|-----------------------|
| Controller | KR C5; KR C5 micro |
|------------|-----------------------|

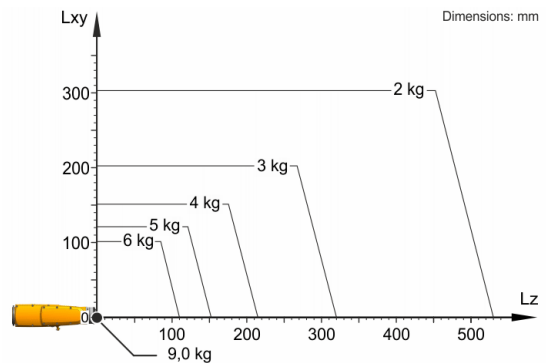
Certificates

ESD requirements IEC61340-5-1; ANSI/ESD S20.20

Workspace graphic



Payload diagram



The KR 6 R1840-2 is designed for a rated payload of 6 kg in order to optimize the dynamic performance of the robot. With reduced load center distances and favorable supplementary loads, a maximum payload of up to 9 kg can be mounted. The specific KUKA Load case must be verified using KUKA. For further consultation, please contact KUKA Service.

Mounting flange

